



MA TYPE

GEAR PUMP

MA Model

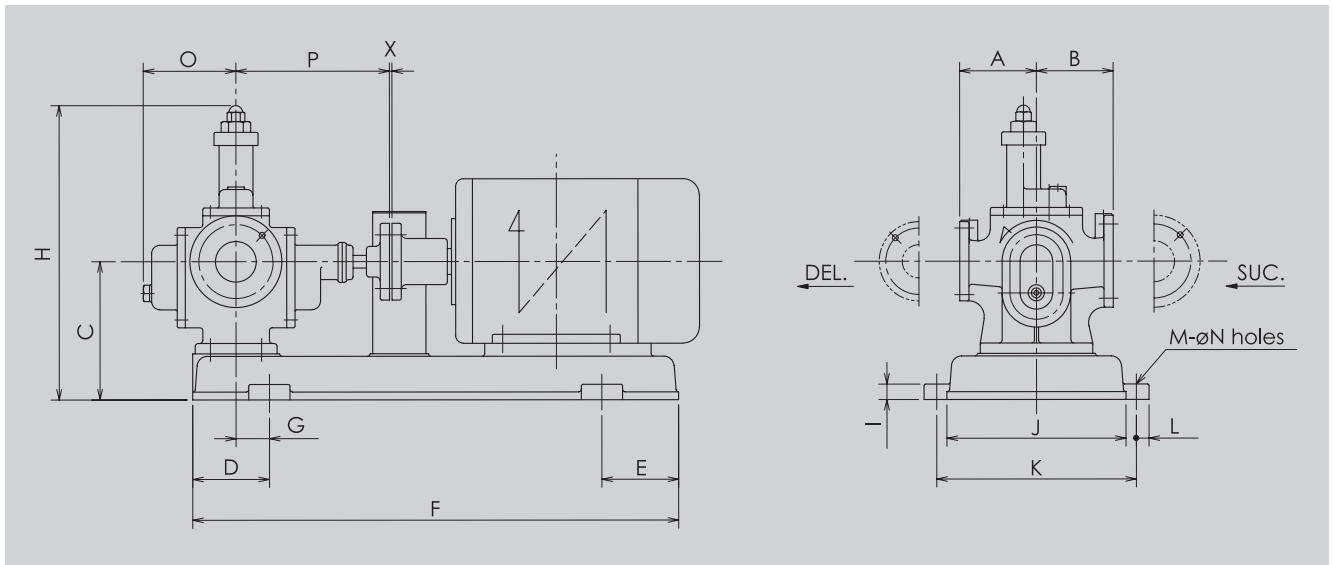
用途/Service

- | | |
|------------------|---------------------------------|
| * 燃料油循環ポンプ | * Fuel Oil Circulating Pump |
| * 燃料油移送ポンプ | * Fuel Oil Transfer Pump |
| * 潤滑油移送ポンプ | * Lubricating Oil Transfer Pump |
| * 燃料油供給(ブースト)ポンプ | * Fuel Oil Supply(Booster) Pump |
| * その他 | * Others |

OUTLINE DRAWING ▶

PERFORMANCE CHART ▶

MA Model <OUTLINE DRAWING>



Model	Motor (kW)	Bore		A	B	C	D	E	F	G	H	I	J	K	L	M	N	O	P	X	Mass (kg)
		Suc.	Del.																		
MA-1B	$\frac{0.75}{1.5}$	32	25	105	105	210	100	100	550	35	410	25	260	300	23	4	15	98	185	3	75
MA-2BN	$\frac{1.5}{2.2}$	40	32	105	105	210	100	100	550	$\frac{35}{40}$	411	25	$\frac{260}{180}$	$\frac{300}{320}$	23	4	15	98	185	3	80
MA-3BN	$\frac{2.2}{3.7}$	40	32	109	103	$\frac{225}{230}$	100	100	600	20	$\frac{450}{455}$	25	$\frac{280}{300}$	$\frac{320}{330}$	$\frac{23}{25}$	4	15	114	200	3	75
MA-4BN	$\frac{2.2}{3.7}$	50	40	105	105	225	100	100	$\frac{600}{630}$	20	455	25	280	320	23	4	15	117	200	3	77
MA-5BN	$\frac{3.7}{5.5}$	65	50	105	105	230	130	130	640	$\frac{60}{75}$	465	25	300	330	25	4	15	100	200	3	77
MA-6BN	$\frac{3.7}{5.5}$	65	50	130	120	225	$\frac{110}{130}$	$\frac{110}{130}$	$\frac{640}{680}$	$\frac{45}{65}$	460	25	310	350	23	4	15	127	220	3	77
MA-8BN	$\frac{5.5}{7.5}$	80	65	150	150	$\frac{230}{245}$	150	150	$\frac{750}{800}$	$\frac{50}{70}$	470	25	310	350	$\frac{23}{25}$	4	15	124	245	3	115
MA-10B	$\frac{2.2}{3.7}$	80	65	150	150	260	$\frac{100}{110}$	$\frac{100}{110}$	$\frac{750}{770}$	$\frac{-}{20}$	531	25	310	350	23	4	15	165	300	3	95
MA-15B	$\frac{11}{15}$	80	65	175	175	325	200	200	1000	100	665	30	$\frac{370}{400}$	$\frac{420}{450}$	25	4	19	200	340	3	140
MA-25B	$\frac{5.5}{7.5}$	100	80	175	175	320	$\frac{150}{200}$	$\frac{150}{200}$	$\frac{870}{1000}$	$\frac{45}{80}$	$\frac{640}{660}$	30	370	420	25	4	19	225	357	3	200
MA-40B	$\frac{15}{18.5}$	150	125	190	190	330	250	250	1140	125	720	35	490	540	28	4	23	270	420	3	220

MA TYPE PERFORMANCE CHART

