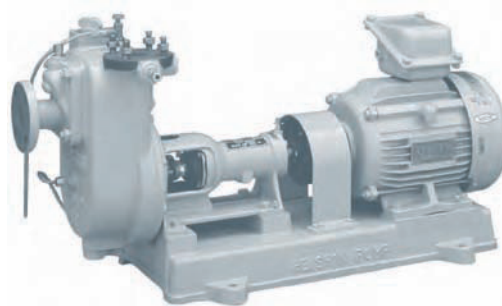


CENTRIFUGAL PUMP

PK Model



PK TYPE

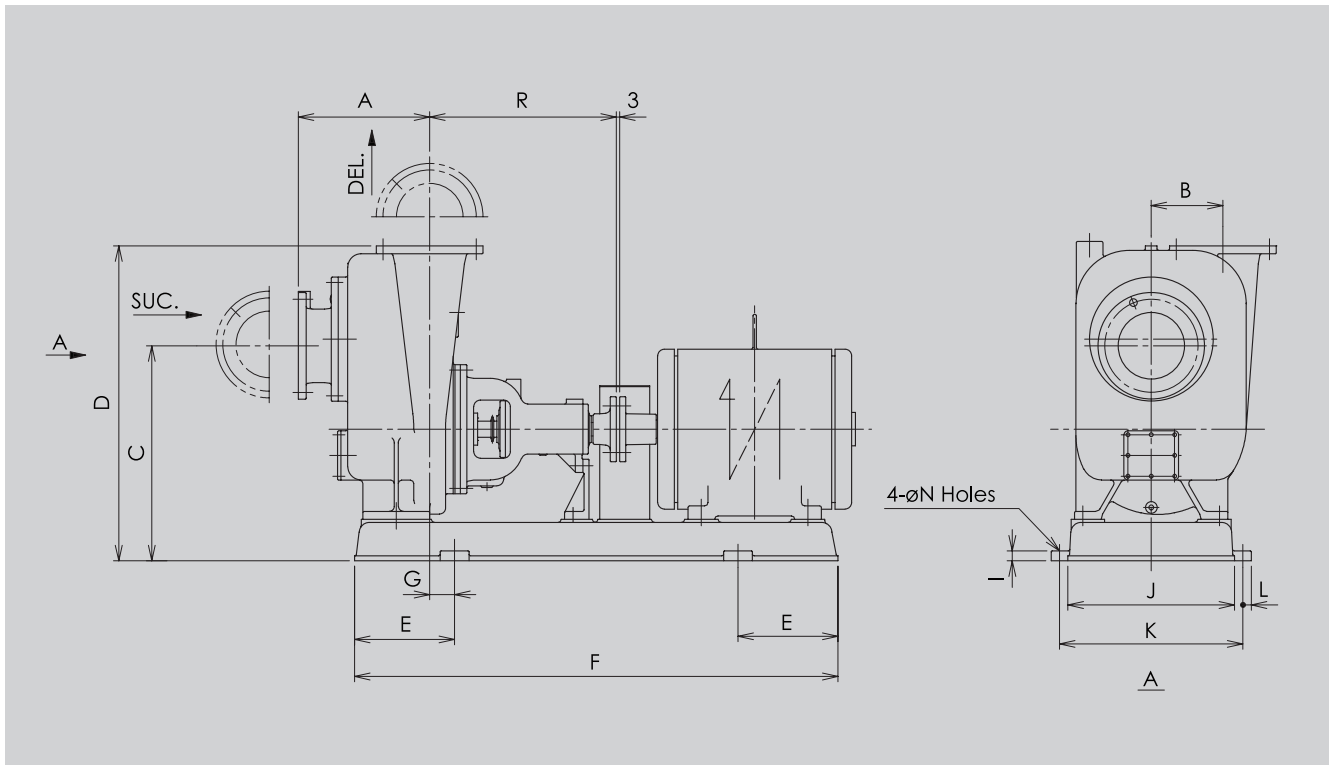
用途/Service

- | | |
|-----------------|-----------------------------|
| * 自給型ポンプ | * Self Priming Pump |
| * 消防兼雑用ポンプ | * Fire & G. S. Pump |
| * 消防兼ビルジバラストポンプ | * Fire & Bilge Ballast Pump |
| * バラストポンプ | * Ballast Pump |
| * 冷却水ポンプ | * Cooling Water Pump |
| * その他 | * Others |

OUTLINE DRAWING ▶

PERFORMANCE CHART ▶

PK Model <OUTLINE DRAWING>



| Model | Motor (kW) | Bore | | A | B | C | D | E | F | G | I | J | K | L | N | R | Mass (kg) | |
|-----------|---------------|------|------|-----|-----|-----|-----|-----|------|------|----|-----|-----|----|----|-----|--------------|-----|
| | | Suc. | Del. | | | | | | | | | | | | | | | |
| ■ PK-30E | 2.2 | 65 | 65 | 260 | 155 | 475 | 660 | 150 | 840 | 1 | 25 | 420 | 460 | 23 | 15 | 370 | 220 | |
| | 3.7 | | | | | 505 | 690 | | 920 | | | | 470 | 25 | 19 | | | |
| | 5.5 | | | | | | | | | | | | | | | | | |
| ■ PK-60G | 5.5 | 100 | 100 | 280 | 175 | 535 | 735 | 150 | 920 | 45 | 30 | 420 | 470 | 25 | 19 | 425 | 260 | |
| | 7.5 | | | | | | | | 200 | 1050 | | 95 | 430 | | | | | 480 |
| | 11 | | | | | | | | | | | | | | | | | |
| 15 | | | | | | | | | | | | | | | | | | |
| ■ PK-130D | 11 | 125 | 125 | 330 | 160 | 500 | 735 | 200 | 1050 | 95 | 30 | 430 | 480 | 25 | 19 | 425 | 280 | |
| ■ PK-150E | 15 | 150 | 150 | 330 | 165 | 500 | 885 | 200 | 1050 | 95 | 30 | 430 | 480 | 25 | 19 | 425 | 280 | |
| ■ PK-300E | 18.5 | 200 | 200 | 395 | 215 | 685 | 985 | 200 | 1300 | 15 | 30 | 350 | 440 | 30 | 19 | 560 | 350 | |
| | 22 | | | | | | | | | | | | | | | | | |

PK TYPE PERFORMANCE CHART

HORIZONTAL SINGLE STAGE SINGLE SUCTION(Self Priming Type)

1800 min⁻¹

