



RVD TYPE

# CENTRIFUGAL PUMP

---

## RVD Model

### 用途/Service

- |           |                            |
|-----------|----------------------------|
| * 冷却海水ポンプ | * Cooling Sea Water Pump   |
| * 冷却清水ポンプ | * Cooling Fresh Water Pump |
| * バラストポンプ | * Ballast Pump             |
| * その他     | * Others                   |

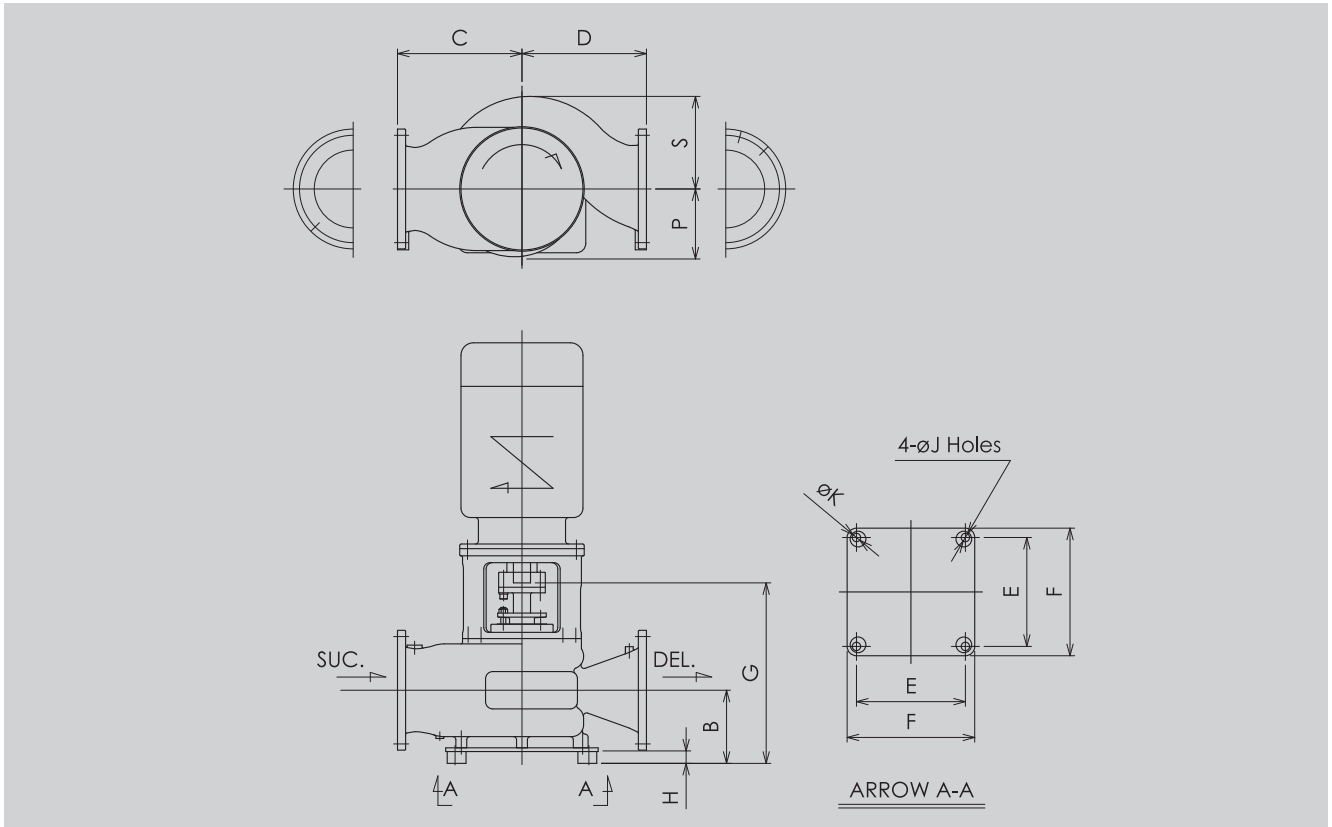
**OUTLINE DRAWING** ▶

**PERFORMANCE CHART** ▶



HSN-KIKAI KOGYO CO.,LTD.

# RVD Model <OUTLINE DRAWING>



Model	Bore		B	C	D	E	F	G	H	J	K	P	S	T	Mass (kg)
	Suc.	Del.													
■ RVD-450EN	250	250	235	400	400	430	490	507.5	50	27	60	275	330	13	390
■ RVD-700EN	300	300	285	450	470	490	560	602	70	33	70	275	400	16	525
■ RVD-900EN	350	350	325	500	500	550	620	681.5	80	33	70	330	395	16	620
■ RVD-1200DN	400	400	365	600	650	670	740	752.5	80	33	70	350	510	16	780
■ RVD-1800DN	450	450	400	700	750	780	850	823.5	90	33	70	360	600	16	930
■ RVD-2500F	500	500	430	750	750	780	850	964	90	33	70	360	600	16	1300

# RVD TYPE PERFORMANCE CHART

## VERTICAL SINGLE STAGE DOUBLE SUCTION

1800 min<sup>-1</sup> (1200 min<sup>-1</sup>)

