



SMK TYPE

CENTRIFUGAL PUMP

SMK Model

用途/Service

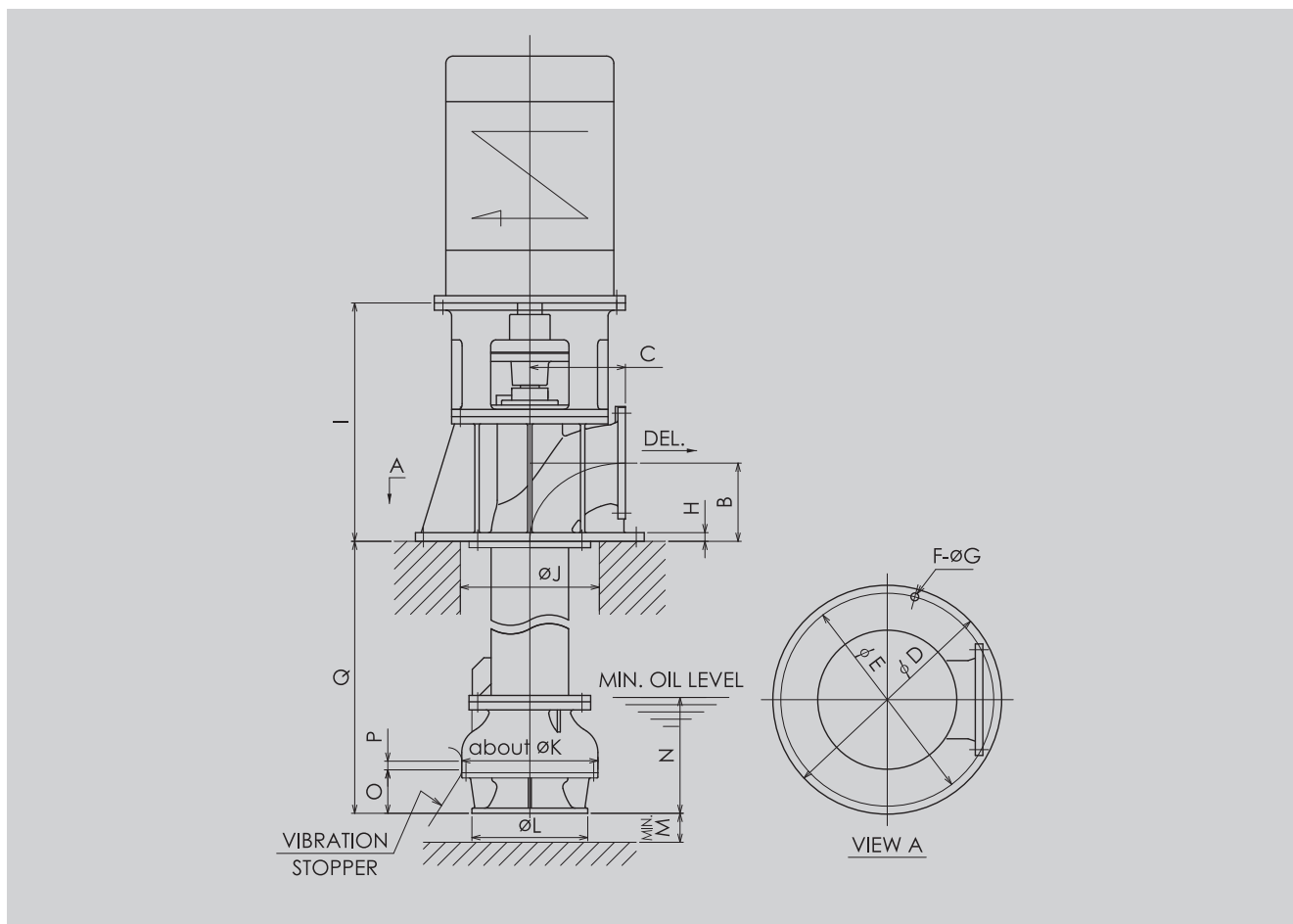
* 潤滑油ポンプ

* Lubricating Oil Pump.

OUTLINE DRAWING ▶

PERFORMANCE CHART ▶

SMK Model <OUTLINE DRAWING>



Model	Bore Del.	B	C	D	E	F	G	H	I	J	K	L	M	N	O	P
■ SMK-150HA	150	180	240	620	570	8	23	28	660	470	460	380	80	350	110	30
■ SMK-250HA	200	230	250	635	585	8	25	30	747	480	470	400	100	400	150	30
■ SMK-300HA	250	270	330	790	735	12	27	30	823	480	470	430	100	400	150	30

SMK TYPE PERFORMANCE CHART

VERTICAL SINGLE STAGE SINGLE SUCTION

